



FEATURES

- High efficacy LED in choice of lumen packages and colors
- Long-life, 60,000 hour LEDs at L80 (projected over 100,000 hours) for reduced life cycle maintenance costs
- Available in narrow or wide distribution
- IP65, IP66 and IP67 rated
- 1500 PSI High Pressure Hose down rating
- Fiberglass housing with F1 weatherability rating, standard
- Gasket is non-porous to ensure seal
- Impact modified acrylic lenses
- UL Sanitation Certified per NSF Standards
- Lens selections includes clear, frosted, or clear polycarbonate
- Lens firmly secured with tamper resistance ready latches
- Lens is tethered and gear tray hinges for ease of maintenance
- Stainless steel latching and mounting straps optional
- UL Sanitation Certified per NSF Standards
- Removable gear tray electrical access
- V-Hook mounting brackets included standard
- Elevated ambient rating with HT optional
- Thermal table below provides details elevated ambient offerings
- DesignLightsConsortium® (DLC) qualified
- Five Year Warranty

PROJECT INFORMATION

Project Name _____

Type _____

Catalog No. _____

Date _____

CONSTRUCTION

Fiberglass reinforced housing and tough injection molded lens. Hinged driver tray for easy maintenance. Industrial fixture design allows for easy cleaning reduces dirt and water accumulation. 12 captive polyacetal (POM) latches and four fixed installation points secures the fixture during transit and allows for fast installation.

REFLECTOR

Specular reflector provides precise control and excellent efficiency for narrow distribution. Wide distribution uses high gloss white gear tray.

ELECTRICAL

Long-life LEDs are rated for 60,000 hours at L80 lumen maintenance. Driver options include fixed output for on/off function, step dimming (high/low/off) or continuous 0-10V dimming. QR code label affixed to housing for easy traceability.

FINISH

Housing has chemical resistant finish. Internal steel surfaces are painted with high gloss baked white enamel, applied over iron phosphate pre-treatment for maximum adhesion and rust resistance. Stainless steel parts have fine brushed mill finish.

CERTIFICATION

All luminaires are built to UL 1598 and 2108 wet location standards and have IP65/IP66/IP67 hose down ratings, and bear appropriate CSA labels. Housing and lens are made with 5VA (f1) fire rated materials. See table on page 2 for elevated ambient ratings. UL Sanitation Certified per NSF Standards. Wet location labeling is standard. DesignLights Consortium® (DLC) qualified. Please refer to the DLC website for specific product qualifications at www.designlights.org.

MOUNTING

Use flexible conduit only.

ORDERING INFORMATION

EXAMPLE LXEW4-40V-FAW-EDU

LXEW		4	-	-	-	-	U	-
MODEL		SIZE	COLOR TEMP	LENS	DISTRIBUTION	VOLTAGE	DRIVER	OPTIONS
LXEW	Industrial Enclosed & Gasketed LED High Bay	4 4'	30 3000K 35 3500K 40 4000K 50 5000K	FA Frost Impact Resistant Acrylic (std.) CA Clear Impact Resistant Acrylic CP Clear UV Stabilized Polycarbonate	N Narrow Distribution W Wide Distribution	U 120V-277V	E Fixed Output ED 0-10V Dimming ED1 0-10V 1% Dimming ⁴	GLR Fast Blow Fuse SSL Stainless Steel Tamper Resistant Ready Latches TP Tamper Proof Latches ELL14 Emergency Battery Pack Installed, 1400 Lumens ¹ F3C8W 3 Wire 8' Wet Cord F3C15W 3 Wire 15' Wet Cord SWH Single Wet Hub ½" NPT Hub DWH Dual Wet Hub ½" NPT Hub HT Elevated Ambient ²
ACCESSORIES (ORDER SEPARATELY)		LUMEN OUTPUT						
LHVQM5	Aircraft Cable, 5' (Pair)	L	Low Watt					
LHVQM10	Aircraft Cable, 10' (Pair)	M	Medium Lumen					
XEWMHSS	Mounting Strap Hardware Kit, Stainless Steel, includes 4	H	High Lumen ¹					
XEWRSBZN	Rigid Surface Mounting Bracket Kit, Zinc Plated, includes 2	V	Very High Lumen ^{1,3}					
XEWRSBSS	Rigid Surface Mounting Bracket Kit, Stainless Steel, includes 2							
XEWFBSSS	Surface Mounting Bracket Kit, Stainless Steel, includes 2							

¹Not available with HT option.

²HT option temperature ranges will vary with lumen packages. Please consult specification page for full detailed offering.

³N/A in 3000K

⁴Not available in V package

PHOTOMETRIC DATA

LUMINAIRE DATA

Luminaire	LXEW4-40M-W-CA-EU LXEW Enclosed and Gasketed, Industrial 15" X 52" LED WITH WHITE BACK AND CLEAR ACRYLIC LENS
Ballast	(2) D23CC90UNVT-F
Ballast Factor	1.00
Lamp	LED
Fixture Lumens	15890
Watts	151.80
Mounting	Surface
Shielding Angle	0° = 90 90° = 90
Spacing Criterion	0° = 1.28 90° = 1.34
Luminous Opening in Feet	Length: 4.17 Width: 1.08 Height: 0.25

ZONAL LUMEN SUMMARY

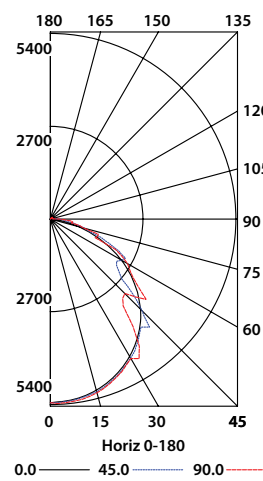
Zone	Lumens	Lamp	Fixt.
0-30	4223	26.6	26.6
0-40	6973	43.9	43.9
0-60	12202	76.8	76.8
0-90	15606	98.2	98.2
0-180	15890	100.0	100.0

ENERGY DATA

Total Luminaire Efficiency	100.0%
Luminaire Efficacy Rating (LER)	105
IESNA RP-1-2004 Compliance	Non-Compliant
Comparative Yearly Lighting Energy Cost per 1000 Lumens	\$2.29 based on 3000 hrs. and \$0.08 per KWH

INDOOR CANDELA PLOT

Test 14.00251 Test Date 9/5/14



LUMINAIRE DATA

Luminaire	LXEW4-40H-W-FA-EU LXEW Enclosed and Gasketed, Industrial 15" X 52" LED WITH WHITE BACK AND FROSTED ACRYLIC LENS
Ballast	D23CC90UNVT-F
Ballast Factor	1.00
Lamp	LED
Fixture Lumens	21291
Watts	226.30
Mounting	Surface
Shielding Angle	0° = 90 90° = 90
Spacing Criterion	0° = 1.26 90° = 1.23
Luminous Opening in Feet	Length: 4.21 Width: 1.13 Height: 0.25

ZONAL LUMEN SUMMARY

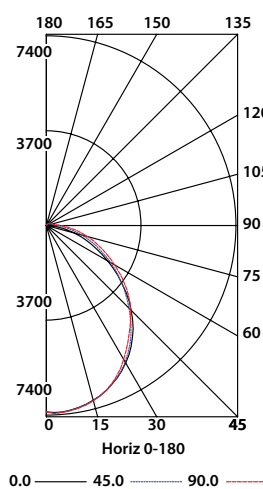
Zone	Lumens	Lamp	Fixt.
0-30	5693	26.7	26.7
0-40	9236	43.4	43.4
0-60	15929	74.8	74.8
0-90	20491	96.2	96.2
0-180	21291	100.0	100.0

ENERGY DATA

Total Luminaire Efficiency	100.0%
Luminaire Efficacy Rating (LER)	94
IESNA RP-1-2004 Compliance	Non-Compliant
Comparative Yearly Lighting Energy Cost per 1000 Lumens	\$2.55 based on 3000 hrs. and \$0.08 per KWH

INDOOR CANDELA PLOT

Test 14.00020 Test Date 7/29/14



LUMINAIRE DATA

Luminaire	LXEW4-40H-W-CA-EU LXEW ENCLOSED AND GASKETED, INDUSTRIAL 15" X 52" LED WITH WHITE BACK AND CLEAR ACRYLIC LENS
Ballast	D23CC90UNVT-F
Ballast Factor	1.00
Lamp	LED
Fixture Lumens	21658
Watts	226.00
Mounting	Surface
Shielding Angle	0° = 90 90° = 90
Spacing Criterion	0° = 1.30 90° = 1.21
Luminous Opening in Feet	Length: 4.21 Width: 1.13 Height: 0.25

ZONAL LUMEN SUMMARY

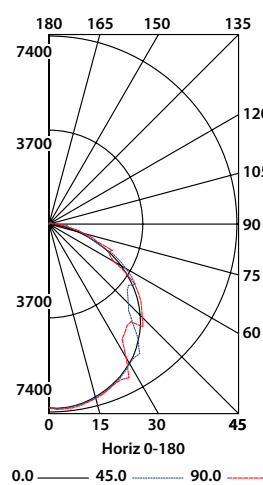
Zone	Lumens	Lamp	Fixt.
0-30	5767	26.6	26.6
0-40	9368	43.3	43.3
0-60	16694	77.1	77.1
0-90	21217	98.0	98.0
0-180	21658	100.0	100.0

ENERGY DATA

Total Luminaire Efficiency	100.0%
Luminaire Efficacy Rating (LER)	96
IESNA RP-1-2004 Compliance	Non-Compliant
Comparative Yearly Lighting Energy Cost per 1000 Lumens	\$2.50 based on 3000 hrs. and \$0.08 per KWH

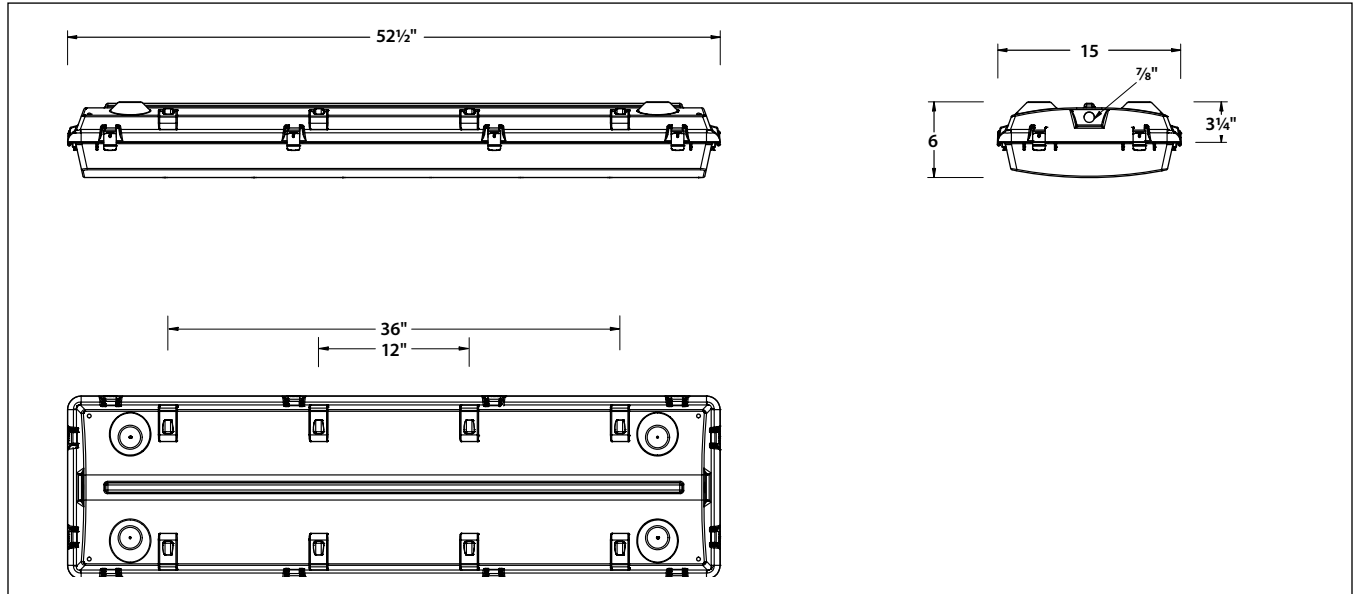
INDOOR CANDELA PLOT

Test 14.00021 Test Date 7/28/14



DIMENSIONAL DATA

PRODUCT AVAILABILITY					
SIZE	LUMEN PACKAGE	NOMINAL LUMEN RANGE	NOMINAL WATTS	LUMENS/WATT	HT MAX
4'	L	11,600 - 12,600	110	115	40°C
	M	15,100 - 16,400	150	109	40°C
	H	20,600 - 22,300	225	99	25°C
	V	30,000-32,600	275	119	25°C



NOTE: All dimensions are in inches; dimensions and specifications are subject to change without notice. Please consult factory or check sample for verification.