

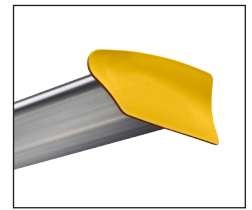
If you're on a budget and don't want the bells and whistles of Powerfoil®8 or Powerfoil®X3.0, Basic 6 is the fan for you.

### MADE TO MOVE AIR, PLAIN AND SIMPLE

- **Airfoils** — Six patented aluminum airfoils (mill finish).
- **Winglets** — Powerfoil winglets eliminate wind noise (safety yellow).
- **Motor and Gearbox** — Industrial-grade motor and gearbox feature inline helical-cut gears for efficient, durable, and reliable operation; lubricated for life with synthetic oil.
- **Hub System** — Machine-cut precision components for uniform load distribution.
- **Controller** — Onboard NEMA 4X VFD eliminates RFI and EMI noise; wall-mounted keypad allows floor level control of all fan functions.
- **Mounting Options** — Standard upper mount installs to I-beams and angle iron; optional kits allow for mounting to large I-beams, solid beams, Z-purlins, and pitched roofs.
- **Safety Features** — Airfoil retainers, hub retainer clips, safety cables, Grade 8 bolts, fire relay (must be wired if required by local code).
- **Colors** — Standard colors for Basic 6 are silver and yellow. Want something different? You can individualize your fan with one of our 11 classic color upgrades, or work with our design consultants to create a shade that's all your own.
- **Accessories** — SmartSense automatically adjusts fan speed. See the SmartSense spec sheet for details.



Onboard VFD



Aerodynamic Winglet Design

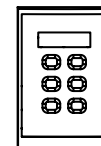
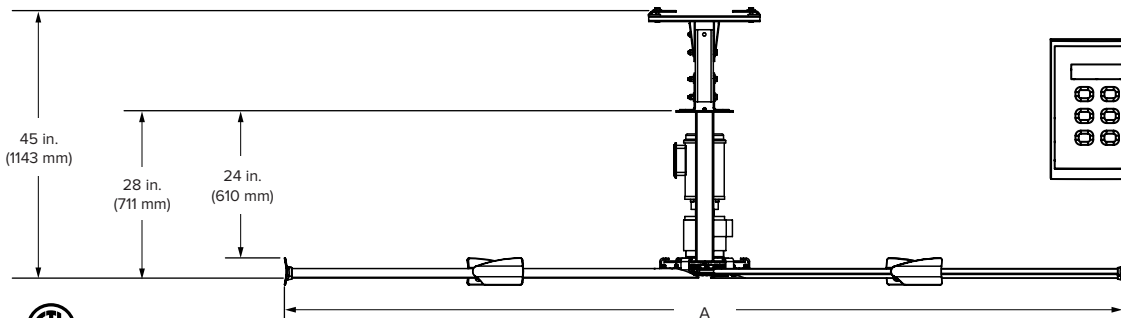
### Technical Specifications

Diameter (A)	Weight <sup>1</sup>	Max speed	Airfoil clearances <sup>2</sup>	Input power and required breaker	Motor horsepower	Sound at max speed <sup>3</sup>
8 ft (2.4 m)	124 lb (56.2 kg)	191 RPM	2 ft (0.6 m) on sides 4 ft (1.2 m) below ceiling	100–125 VAC, 50/60 Hz, 1 Φ, 15 A 200–240 VAC, 50/60 Hz, 1 Φ, 10 A 200–240 VAC, 50/60 Hz, 3 Φ, 10 A 400–480 VAC, 50/60 Hz, 3 Φ, 10 A 575–600 VAC, 50/60 Hz, 3 Φ, 10 A	1.0 hp (0.75 kW)	< 55 dBA
10 ft (3 m)	135 lb (61.2 kg)	148 RPM				
12 ft (3.6 m)	185 lb (83.9 kg)	135 RPM	2 ft (0.6 m) on sides	200–240 VAC, 50/60 Hz, 1 Φ, 25 A 200–240 VAC, 50/60 Hz, 3 Φ, 15 A 400–480 VAC, 50/60 Hz, 3 Φ, 10 A 575–600 VAC, 50/60 Hz, 3 Φ, 10 A	1.5 hp (1.1 kW)	
14 ft (4.3 m)	192 lb (87.1 kg)	110 RPM	5 ft (1.5 m) below ceiling			
16 ft (4.9 m)	204 lb (92.5 kg)	98 RPM	2 ft (0.6 m) on sides			
18 ft (5.5 m)	210 lb (95.2 kg)	86 RPM	6 ft (1.8 m) below ceiling			
20 ft (6.1 m)	217 lb (98.4 kg)	76 RPM	2 ft (0.6 m) on sides			
24 ft (7.3 m)	231 lb (104.8 kg)	61 RPM	7 ft (2.1 m) below ceiling			

<sup>1</sup> Weight does not include mount or extension tube.

<sup>2</sup> Measure the distance from the tip of the winglet to the ceiling or major obstruction.

<sup>3</sup> Fans are sound tested at maximum speed in a laboratory environment. Actual results in field conditions may vary due to sound reflecting surfaces and environmental conditions.



**Wall-Mounted Keypad**  
Height: 3.4 in. (86.4 mm)  
Width: 2.2 in. (55.9 mm)  
Depth: 0.72 in. (18.3 mm)



Certified to UL 507 and CSA C22.2

Lead times may vary.  
See full warranty for coverage information.  
Specifications subject to change without notice.



AMERICAS  
BIGASSOLUTIONS.COM  
877-244-3267

CANADA  
BIGASSOLUTIONS.COM/CA  
844-924-4277

AUSTRALIA  
BIGASSOLUTIONS.COM/AU  
1-300-244-277

SINGAPORE  
BIGASSOLUTIONS.COM/SG  
+65 6709 8500

MALAYSIA  
+603 5565 0888